

Honeywell E-Mon

E-Mon[®] Class 6200

DIN-RAIL SERIES

PRODUCT DATA



APPLICATION

Honeywell E-Mon[®] Class 6200 poly-phase meters enabled users to better manage energy costs, and their innovative technology provides a completely new user experience. Thanks to a Bluetooth Low Energy interface, installation and configuration can be carried out easily and flawlessly via a smart-phone app.

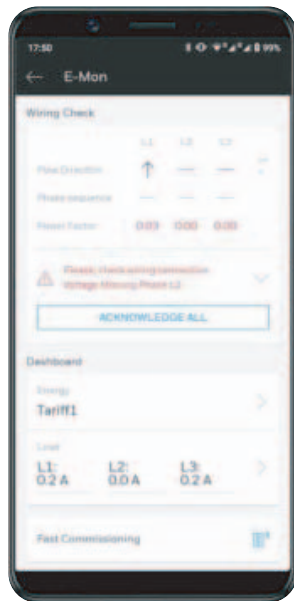


Fig. 1.

FEATURES

- Three Phase Revenue-Grade Pulse Output Meter:**
- Operating voltages 100–480 VAC, 50/60 Hz
 - Three phase 3 wire Delta or 4 wire Wye
 - Single phase single pole 120 and two pole 240 VAC
 - Current sensor measurement with 0.333 or 2 VAC sensors
 - Accuracy for active energy: Class 0.5 according ANSI C12.20
 - UL 61010-2-030 listed
 - Bluetooth low-energy 5.0 Class 1 interface
 - App-based commissioning and meter reading

Table 1.

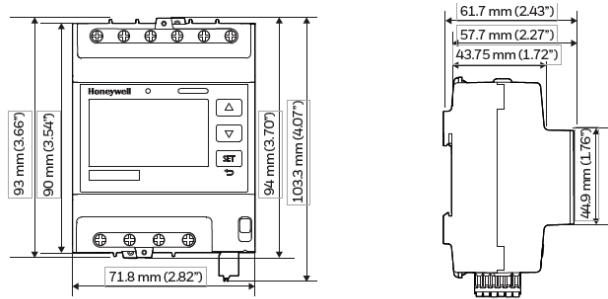
Model Numbers	Description
EM3S-V-P-D	DIN rail meter, no enclosure.
EM3S-V-P-R	Meter with NEMA 4X enclosure and inner dead-front swing panel.
EM3S-V-P-ER	Meter with NEMA 4X economy enclosure includes DIN rail.
EM3S-V-P-J	Meter with NEMA 1 indoor JIC steel enclosure includes DIN rail.
DRAK	DIN rail adapter kit for flush mount no enclosure or meter.
MMU	Multiple Meter Units in 8, 16, or 24 meters UL Type 4 outdoor steel enclosure factory pre-wired line voltage to meter terminal block. Please see MMU Configuration Sheet to order.



E-MON 6200 ENCLOSURE OPTIONS

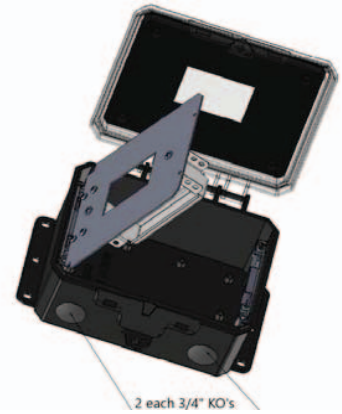
EM3S-V-P-D

- DIN rail meter
- No enclosure



EM3S-V-P-R

- Meter with NEMA 4X outdoor polycarbonate enclosure
- Inner dead-front swing panel with two 3/4" KO's
- Size: 8" x 6" x 3"



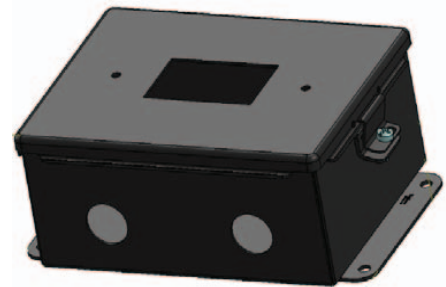
EM3S-V-P-ER

- Meter with NEMA 4X outdoor polycarbonate economy enclosure
- Includes DIN rail, no KO's
- Size 8"x6"x3"



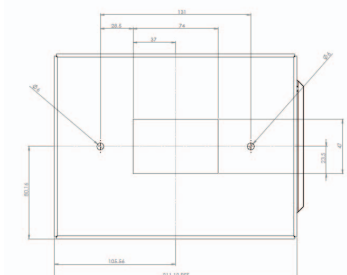
EM3S-V-P-J

- Meter with NEMA 1 indoor JIC steel enclosure
- Includes DIN rail & two 3/4" KO's
- Size 8"x6"x3"



DRAK

- DIN Rail Adapter Kit for flush mounting
- No enclosure
- Meter is not included.



E-MON® CLASS 6000 333mV CURRENT SENSOR SPECIFICATIONS

IMPORTANT

Current Sensors **MUST** be used with E-Mon Class 6000 series meters. These current sensors may not be used with any other E-Mon product.

Wire Leads:

6ft [1.8m] 18AWG black/white twisted
UL1015 105°C 600V

Secondary Output: 0.333 VAC, full-scale

Accuracy (typical): 0.5%

Linearity: 10% - 120%

Polarity

White (X1—Hi)
Black (X2—Low)

NOTE: Phase direction arrow points toward load.

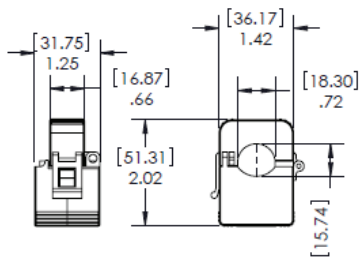


Fig. 2. 25 Amp 0.333V split-core 1 piece model #: E10025-333V.

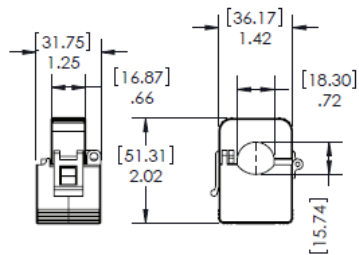


Fig. 3. 50 Amp 0.333V split-core 1 piece model #: E10050-333V.

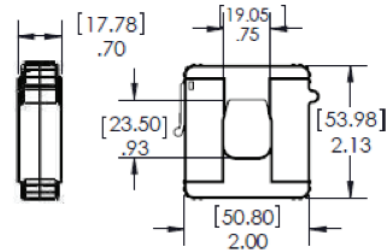


Fig. 4. 100 Amp 0.333V split-core 1 piece model #: E10100-333V.

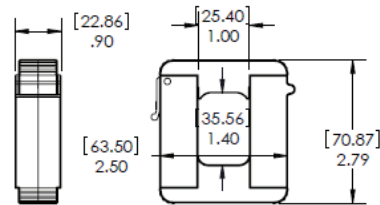


Fig. 5. 200 Amp 0.333V split-core 1 piece model #: E10200-333V.

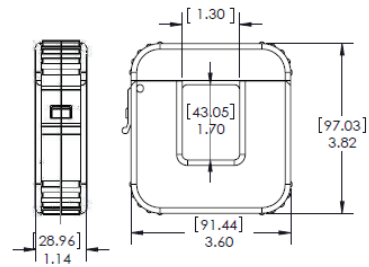


Fig. 6. 400 Amp 0.333V split-core 1 piece model #: E10400-333V.

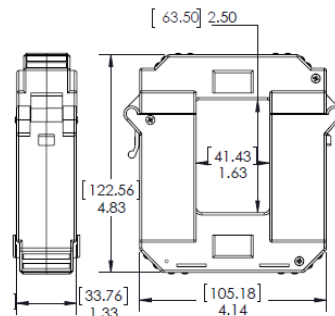


Fig. 7. 800 Amp 0.333V split-core 1 piece model #: E10800-333V.

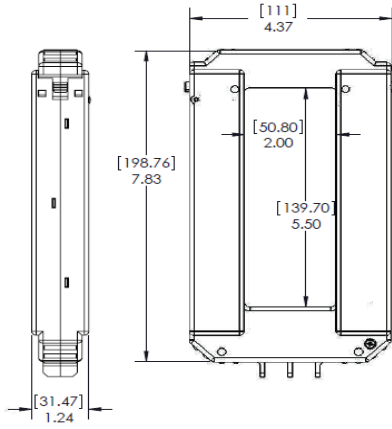


Fig. 8. 1600 Amp 0.333V split-core 1 piece model #: E101600-333V.

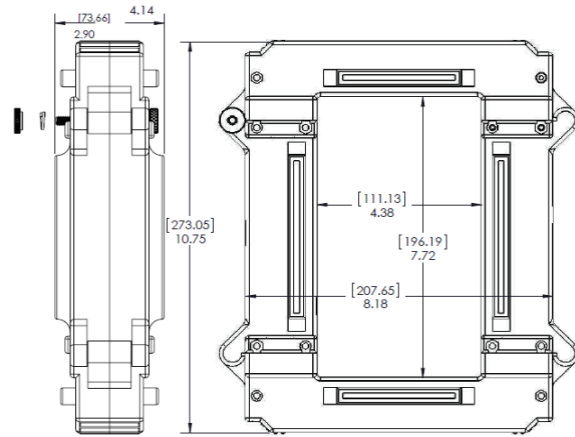
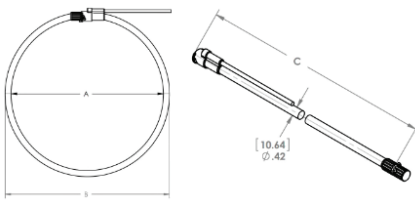


Fig. 9. 3200 Amp 0.333V split-core 1 piece model #: E103200-333V.

(A) COIL OD 5.0" [12.70]
 (B) COIL OD 5.8" [14.73]
 COIL LENGTH (C) 16" [40.64]



Please note: integrator requires regulated power supply 110V/12VDC/1A; order as 1 each model number 04-4040

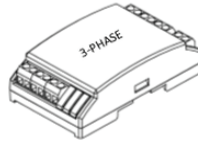


Fig. 10. 5000 Amp 0.333V split-rope 3 piece model #: E-RS-5000-MV333V includes integrator requires 1 each power supply PN# 04-4040.

Honeywell Building Technologies

In the U.S.: (800) 344-3666
 Honeywell E-Mon
 715 Peachtree Street NE
 Atlanta, GA 30308
 customer.honeywell.com

Honeywell E-Mon